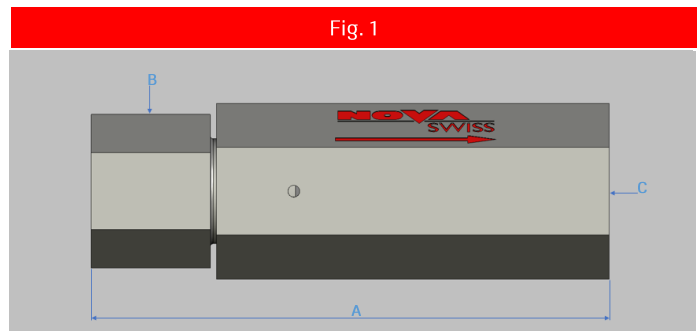


Check Valves H₂

Female / Female – BSPF – MAWP 10'000 psi

Nova Ref.	Conn.	Orif. Ø mm	A mm	B Hex.	C Hex.	D Hex.	E Thread	Fig.
CVP104B-4	1/4	4.5	87.0	7/8	1	-	-	1
CVP106B-4*	3/8	6.5	87.0	1	1	-	-	1
CVP108B-4	1/2	9.0	103.0	1-3/16	1-3/8	-	-	1

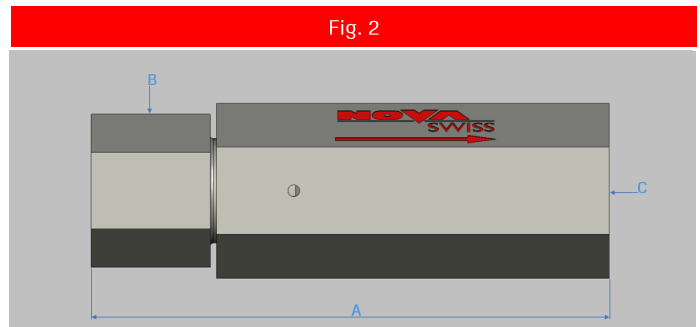
* Available at request, minimum order quantity applies.



Female / Female – NPT – MAWP 10'000 psi

Nova Ref.	Conn.	Orif. Ø mm	A mm	B Hex.	C Hex.	D Hex.	E Thread	Fig.
CVP104N-4	1/4	4.5	87.0	7/8	1	-	-	2
CVP106N-4*	3/8	6.5	87.0	7/8	1	-	-	2
CVP108N-4	1/2	9.0	103.0	1	1-3/8	-	-	2

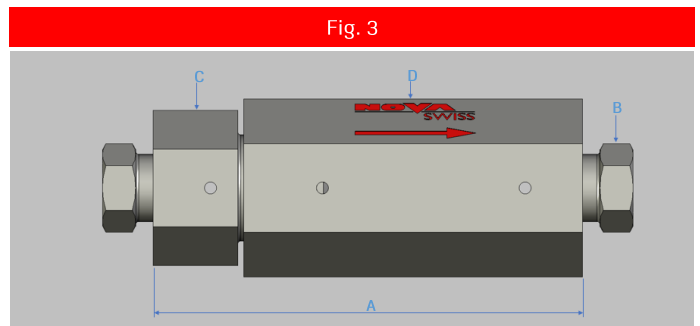
* Available at request, minimum order quantity applies.



Female / Female – MPCT – MAWP 20'000 psi

Nova Ref.	Conn.	Orif. Ø mm	A mm	B Hex.	C Hex.	D Hex.	E Thread	Fig.
CVP204M-4	1/4	2.8	71.0	1/2	7/8	1	-	3
CVP206M-4	3/8	5.2	87.0	5/8	7/8	1	-	3
CVP209M-4	9/16	9.0	103.0	7/8	1	1-3/8	-	3
CVP2012M-4*	3/4	13.1	128.5	1-3/16	1-5/8	1-3/4	-	3
CVP2016M-4*	1	17.5	161.0	1-3/8	1-3/4	2-1/8	-	3

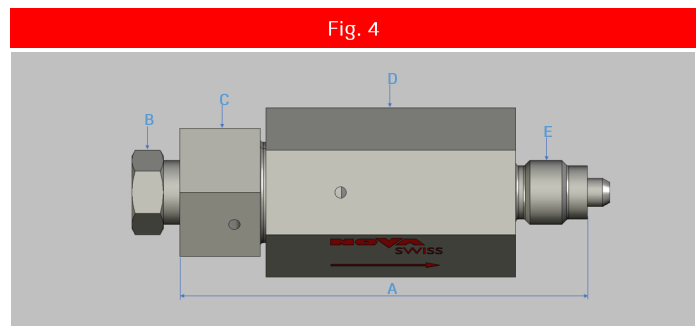
* Available at request, minimum order quantity applies.



Female / Male – MPCT – MAWP 20'000 psi

Nova Ref.	Conn.	Orif. Ø mm	A mm	B Hex.	C Hex.	D Hex.	E Thread	Fig.
CVP204M-4-M	1/4	2.8	71.0	1/2	7/8	1	7/16-20	4
CVP206M-4-M	3/8	5.2	87.0	5/8	7/8	1	9/16-18	4
CVP209M-4-M	9/16	9.0	103.0	7/8	1	1-3/8	13/16	4
CVP2012M-4-M*	3/4	13.1	128.5	1-3/16	1-5/8	1-3/4	3/4-14	4

* Available at request, minimum order quantity applies.



Male / Female – MPCT – MAWP 20'000 psi

Nova Ref.	Conn.	Orif. Ø mm	A mm	B Hex.	C Hex.	D Hex.	E Thread	Fig.
CVM2012M-4-F*	3/4	13.1	135.4	1-3/16	1-5/8	1-3/4	3/4-14	5

* Available at request, minimum order quantity applies.

