

Manual Needle Valves H₂

Nova Swiss medium pressure needle valves for hydrogen offer, even with extremely hard operating conditions, maximum safety and reliability up to 20'000 psi (1'380 bar). All valves allow bidirectional flow.

Extremely robust and simple sealing technology combined with specially shaped seat and the two-piece non-rotating lower stem increases the longevity of the valve.

All pressure containing parts are manufactured of high-grade corrosion resistant stainless steel. As part of our stringent QA-system, each single valve body has a unique serial number. Valves are available, at request, with complete traceability of all pressure-retaining parts.

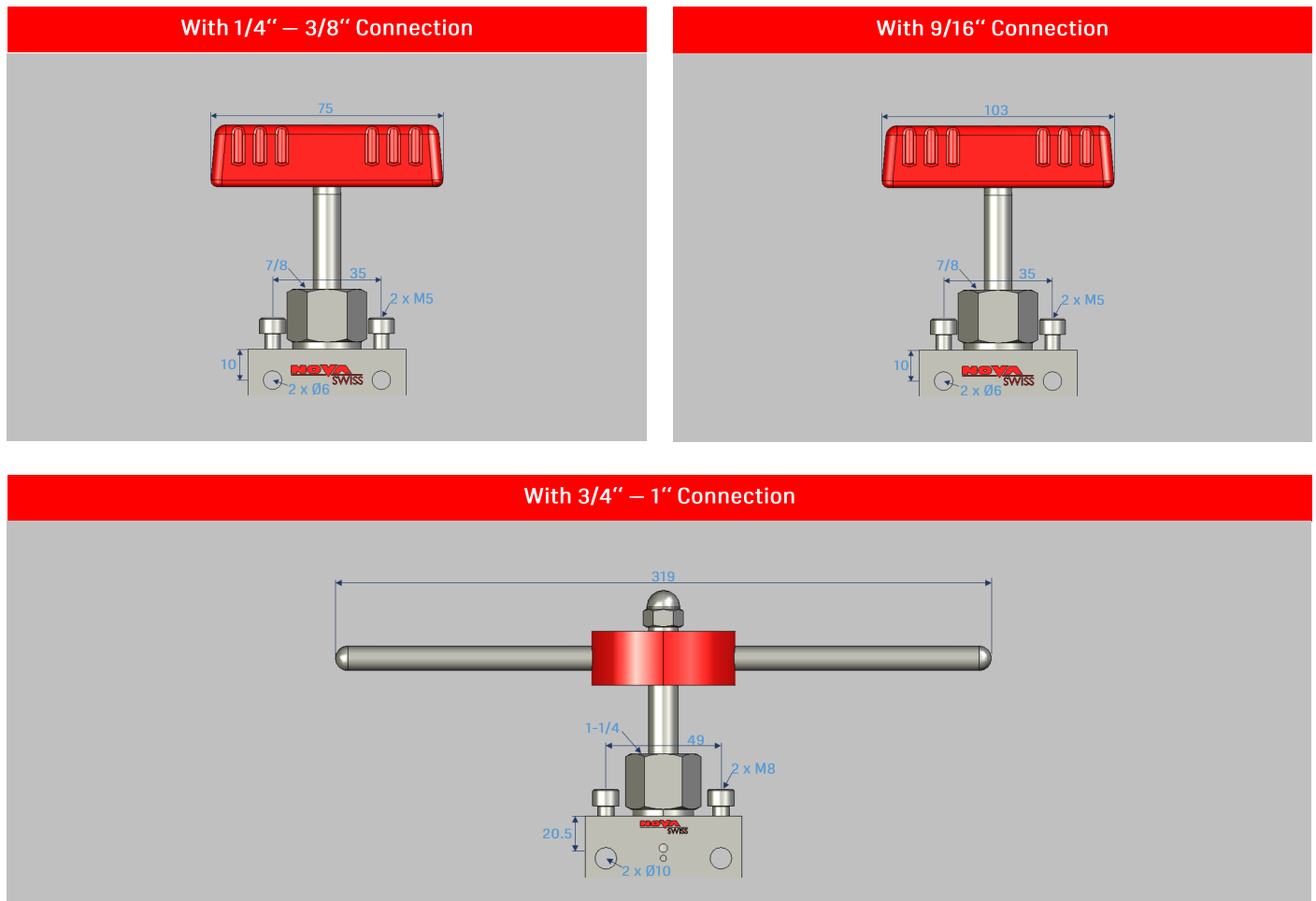
Medium-pressure connections can be installed and disconnected arbitrary number of times without any damage.



Needle Valve Features:

- MAWP 20'000 psi (1'380 bar)
- Bi-directional flow
- 2-way straight, -angle & -angle with replaceable seat
- Connections for tubing Ø 1/4", 3/8", 9/16", 3/4" & 1"
- Actuation: -ATC (air to close) & ATO (air to open)
- Non rotating two-piece stem
- Complete of weep holes
- Temperature range -50°C / +200°C
- Compliant with PED 2014/68/EU
- Atex compliant
- Full traceability of manufactured parts
- Unique serial number

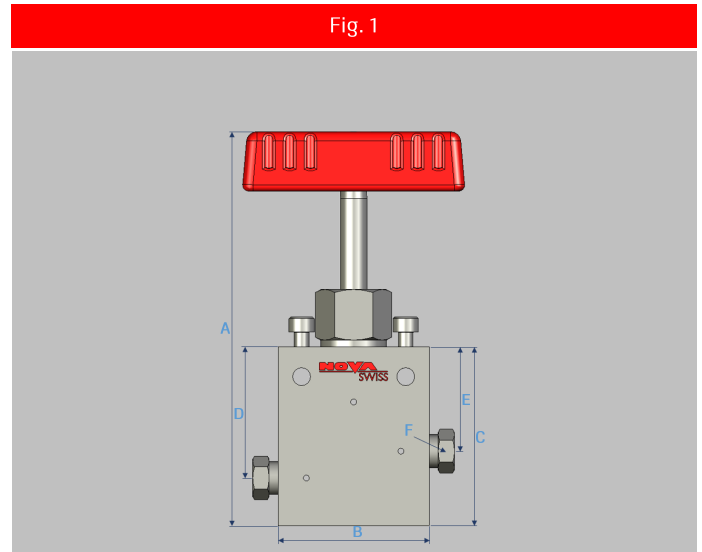
Needle Valve Panel Mounting Connection & Handle Dimensions



Manual Needle Valves H₂

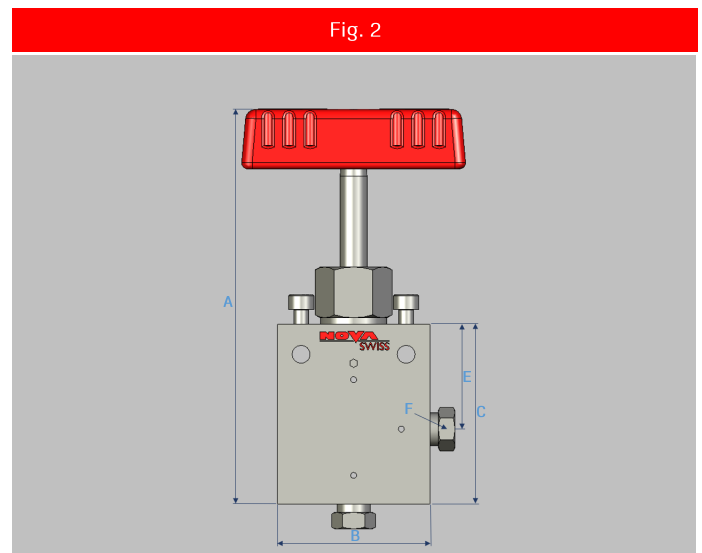
2-Way Straight – MAWP 20'000 psi

Nova Ref.	Conn.	A	B	C	D	E	F	Th.	Fig.
NV1204M-4	1/4	132.5	50.8	60	44	35	1/2	28.6	1
NV1206M-4	3/8	138.2	50.8	66	46	35	5/8	28.6	1
NV1209M-4	9/16	144.2	63.5	72	50	35	7/8	28.6	1



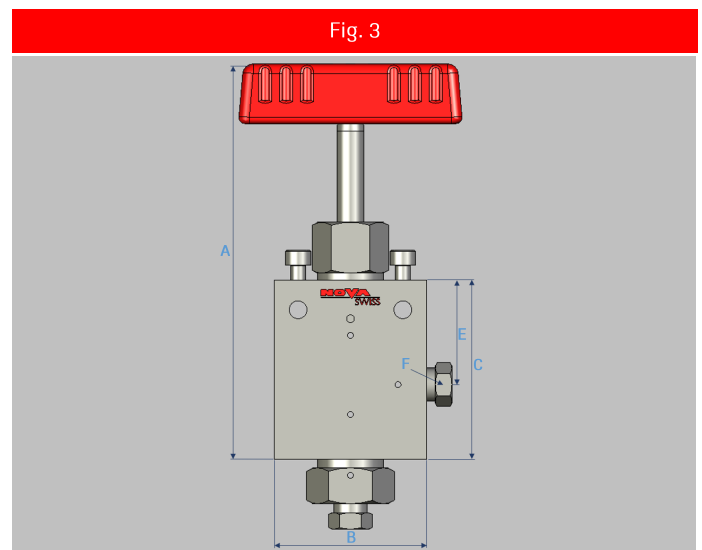
2-Way Angle – MAWP 20'000 psi

Nova Ref.	Conn.	A	B	C	D	E	F	Th.	Fig.
NV2204M-4	1/4	132.5	50.8	60	-	35	1/2	28.6	2
NV2206M-4	3/8	138.2	50.8	66	-	35	5/8	28.6	2
NV2209M-4	9/16	144.2	63.5	72	-	35	7/8	28.6	2



2-Way Replaceable Seat – MAWP 20'000 psi

Nova Ref.	Conn.	A	B	C	D	E	F	Th.	Fig.
NV5204M-4	1/4	132.5	50.8	60	-	35	1/2	29.3	3
NV5206M-4	3/8	138.2	50.8	66	-	35	5/8	29.3	3
NV5209M-4	9/16	144.2	63.5	72	-	35	7/8	29.3	3

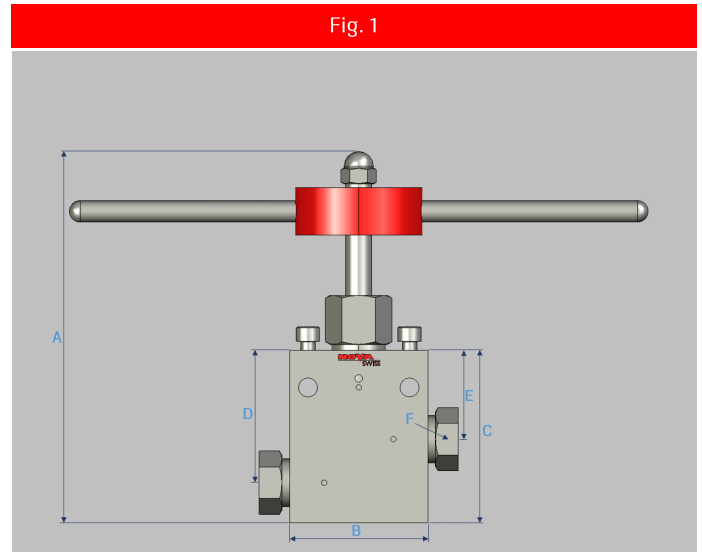


Manual Needle Valves H₂

2-Way Straight – MAWP 20'000 psi

Nova Ref.	Conn.	A	B	C	D	E	F	Th.	Fig.
NV12012M-4 *	3/4	204.5	76.2	95	73	49	1-3/16	34.9	1
NV12016M-4 *	1	214.4	104.8	105	73	49	1-3/8	41.3	1

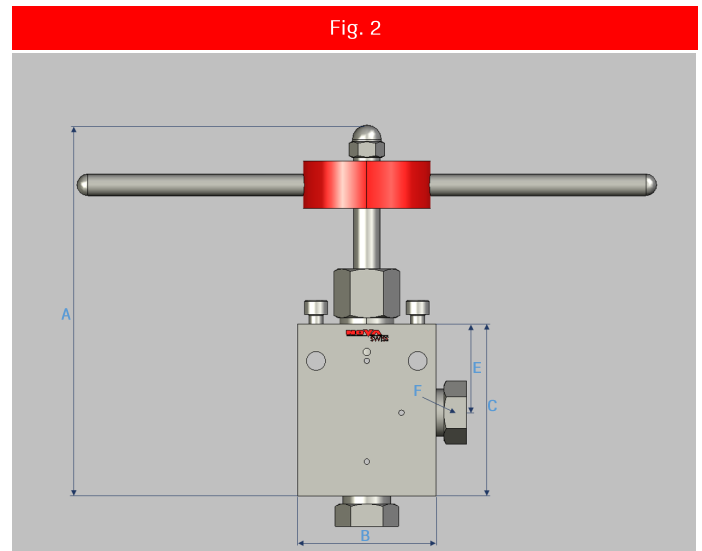
* Available at request, minimum order quantity applies.



2-Way Angle – MAWP 20'000 psi

Nova Ref.	Conn.	A	B	C	D	E	F	Th.	Fig.
NV22012M-4 *	3/4	204.5	76.2	95	-	49	1-3/16	34.9	2
NV22016M-4 *	1	214.4	104.8	105	-	49	1-3/8	41.3	2

* Available at request, minimum order quantity applies.



2-Way Replaceable Seat – MAWP 20'000 psi

Nova Ref.	Conn.	A	B	C	D	E	F	Th.	Fig.
NV52012M-4 *	3/4	204.5	76.2	95	-	49	1-3/16	40.3	3
NV52016M-4 *	1	214.4	104.8	105	-	49	1-3/8	47.7	3

* Available at request, minimum order quantity applies.

